



AXIAL WALL / CEILING FAN



EN

BLABQUATRO

USER'S MANUAL

CONTENTS

Safety Instructions.....	4
Delivery set	6
Brief description	6
Operation guidelines	6
Installation and set-up.....	6
Technical maintenance.....	7
Storage and transportation regulations.....	7
Warranty.....	8

This user's manual is a main operating document intended for technical, maintenance, and operating staff. The manual contains information about purpose, technical details, operating principle, design, and installation of the BLABQUATRO unit and all its modifications.

Technical and maintenance staff must have theoretical and practical training in the field of ventilation systems and should be able to work in accordance with workplace safety rules as well as construction norms and standards applicable in the territory of the country.

The information in this user's manual is correct at the time of the document's preparation.

The Company reserves the right to modify the technical characteristics, design, or configuration of its products at any time in order to incorporate the latest technological developments.

No part of this publication may be reproduced, stored in a retrieval system, or transmitted, in any form or by any means in any information search system or translated into any language in any form without the prior written permission of the Company.



**READ THE USER'S MANUAL CAREFULLY BEFORE PROCEEDING WITH INSTALLATION WORKS.
COMPLIANCE WITH THE MANUAL REQUIREMENTS ENSURES RELIABLE OPERATION AND LONG
SERVICE LIFE OF THE UNIT.**

**KEEP THE USER'S MANUAL AVAILABLE AS LONG AS YOU USE THE UNIT. YOU MAY NEED TO
REREAD THE INFORMATION ON THE PRODUCT SERVICING.**



FOLLOW THE USER'S MANUAL REQUIREMENTS TO ENSURE DURABLE AND TROUBLE-FREE OPERATION OF THE UNIT.

SAFETY INSTRUCTIONS

Disconnect the unit from power supply prior to any connection, servicing, maintenance, and repair operations.

Only qualified electricians with a work permit for electrical units up to 1000 V are allowed for installation and maintenance. The present user's manual should be carefully read before beginning works.

- Single-phase power mains must comply with the acting local electrical norms and standards.
- Fixed electrical wiring must be equipped with an automatic circuit breaker.
- The unit must be connected to power mains through a QF automatic circuit breaker integrated into the fixed wiring system. The gap between the circuit breaker contacts on all poles must be not less than 3 mm. Check the unit for any visible damages of the impeller and the casing before starting installation. The casing internals must be free of any foreign objects that can damage the impeller blades.
- While mounting the unit, avoid compression of the casing! Deformation of the casing may result in the motor jam and noisy operation. Misuse of the unit and any unauthorised modifications are not allowed.
- Take steps to prevent ingress of smoke, carbon monoxide, and other combustion products into the room through open chimney flues or other fire-protection devices. Sufficient air supply must be provided for proper combustion and exhaust of gases through the chimney of fuel

burning equipment to prevent back drafting. Transported air must not contain any dust or other solid impurities, sticky substances, or fibrous materials.

- Do not use the unit in a hazardous or explosive environment containing spirits, gasoline, insecticides, etc.
- Do not close or block the intake or extract vents in order to ensure the efficient air flow.
- Do not sit on the unit and do not put objects on it.
- This appliance is not intended for use by persons (including children) with reduced physical, sensory or mental capabilities, or lack of experience and knowledge, unless they have been given supervision or instruction concerning use of the appliance by a person responsible for their safety.

Ensure that the fan is switched off from the supply mains before removing the guard.

The fan is to be installed so that the blades are more than 2,1 m above the floor;

Precautions must be taken to avoid the back-flow of gases into the room from the open flue of gas or other fuel-burning appliances.



**THE PRODUCT MUST BE DISPOSED SEPARATELY AT THE END OF ITS SERVICE LIFE.
DO NOT DISPOSE THE UNIT AS UNSORTED DOMESTIC WASTE.**

DELIVERY SET

Fan	- 1 pc.
Screws with dowels	- 4 pcs.
User's manual	- 1 pc.
Packing box	- 1 pc.

BRIEF DESCRIPTION

The unit described herein is an axial fan for exhaust ventilation of small to medium-sized premises heated during winter. It is designed for wall or ceiling mounting (Fig. 3-4). The fan is designed for connection to \varnothing 100, 125 and 150 mm air ducts.

OPERATION GUIDELINES

The fan is rated for connection to single-phase AC 220-240 V/50 Hz power mains.

Air motion direction in the system must match the pointer on the fan casing.

Hazardous parts access and water ingress protection rating is IP22.

The fan is rated for operation at the ambient temperature ranging from +1 °C up to +45 °C.

The unit is rated as a Class II electrical appliance.

INSTALLATION AND SET-UP

The fan is designed for wall or ceiling mounting with direct air exhaust to the ventilation shaft or into the round air duct of matching diameter (Fig. 2).

Fan installation sequence:

step 1. Cut off power supply and make sure electricity has been turned off (Fig. 5).

step 2. Run the power cable to the vent hole (Fig. 6).

step 3. Remove the front panel from the fan. Then remove the circuit board cover (Fig. 7).

step 4. Mark and drill holes for mounting the fan and then install the fan (Fig. 8-10).

step 5. Connect the fan to power mains according to the wiring diagram (Fig. 13).

step 6. Cover the casing with a front panel and a decorative panel (Fig. 11).

step 7. Supply power voltage to the fan (Fig. 12).

TERMINAL DESIGNATIONS ON WIRING DIAGRAMS

L — phase (220-240 V only)

S — external switch

N — neutral (220-240 V only)

QF — automatic circuit breaker

TECHNICAL MAINTENANCE

The fan maintenance periodicity is at least once per 6 months.

Maintenance steps:

- Disconnect the fan from power supply and make sure electricity has been turned off (Fig. 14).
- Remove the front and the decorative panels, wipe the fan with a dry cloth or a brush (Fig. 15).
- Clean the front panel under running water (Fig. 16).
- Wipe the fan surfaces dry.
- Cover the fan with the front panel.
- Connect power supply to the fan (Fig. 17).

CAUTION! Do not allow water or liquid come into contact with electric components!

STORAGE AND TRANSPORTATION REGULATIONS

- Store the unit in the manufacturer's original packaging box in a dry closed ventilated premise with temperature range from +5 °C to +40 °C and relative humidity up to 70 %.
- Storage environment must not contain aggressive vapors and chemical mixtures provoking corrosion, insulation, and sealing deformation.
- Use suitable hoist machinery for handling and storage operations to prevent possible damage to the unit.
- Follow the handling requirements applicable for the particular type of cargo.
- The unit can be carried in the original packaging by any mode of transport provided proper protection against precipitation and mechanical damage. The unit must be transported only in the working position.
- Avoid sharp blows, scratches, or rough handling during loading and unloading.
- Prior to the initial power-up after transportation at low temperatures, allow the unit to warm up at operating temperature for at least 3-4 hours.



WARRANTY

- This warranty is given by Blauberg Australasia Pty Ltd, with an office at U5, 45 Eastern Creek Drive, Eastern Creek, NSW 2766, Australia. Phone 1300 475 504
- From the date of purchase, the original purchaser is entitled to free replacement parts, or a new unit for a period of five years from the date of purchase
- The defective parts or unit must be returned to Blauberg Australasia Pty Ltd at your own cost before an exchange or parts or unit will be given
- A proof of purchase will be required before a warranty claim is accepted
- The warranty will also not cover damage caused by misuse, neglect, shipping accident, incorrect or improper installation, voltage supply problems, unauthorised modification or repairs of any kind, exposure to corrosive conditions, exposure to weather and where no fault is found with the product
- We will not cover any loss incurred by you in relation to the product or making the claim under this warranty including without limitation any costs associated with installation, reinstallation, or transporting the product.

Additional information:

Our goods come with guarantees that cannot be excluded under the Australian Consumer Law. You are entitled to a replacement of the purchased product for a major failure of the product. You are also entitled to have the goods repaired or replaced if the goods fail to be of acceptable quality and the failure does not amount to a major failure. Our ventilation products also come with a five years limited warranty given by the distributor Blauberg Australasia Pty Ltd, with an office at U5, 45 Eastern Creek Drive, Eastern Creek, NSW 2766, Australia, as set out in the instruction manual in the box. If your product does not provide the general features and functions described in the user documentation in the five year period after delivery to you, please call Blauberg Australasia Pty Ltd, (ABN 85 637 003 582) on 1300 475 504 with details of your product, serial number and proof of purchase. You may be required to return the ventilation product to the address listed, in which case such a return will be at your own cost.

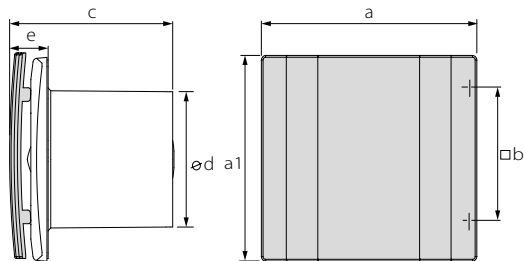
The benefits under this warranty are in addition to other rights and remedies that you may have at law.



FOLLOWING THE REGULATIONS STIPULATED HEREIN WILL ENSURE A LONG AND TROUBLE-FREE OPERATION OF THE UNIT.

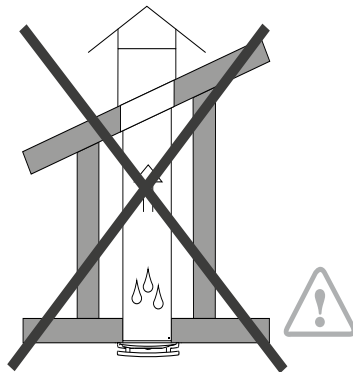
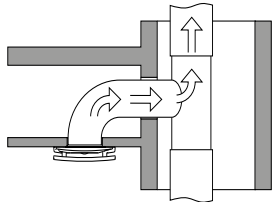
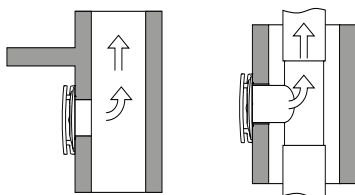


USER'S WARRANTY CLAIMS SHALL BE SUBJECT TO REVIEW ONLY UPON PRESENTATION OF THE UNIT, THE PAYMENT DOCUMENT AND THE USER'S MANUAL WITH THE PURCHASE DATE STAMP.

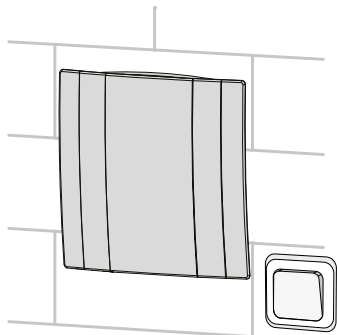


Model	Dimensions [mm]						Weight [kg]
	a	a1	b	c	d	e	
BLABQUATRO 100	171	151	108	128	100	32	0.56
125	201	178	113	136	125	35	0.73
150	236	207	165	157	150	38	0.9

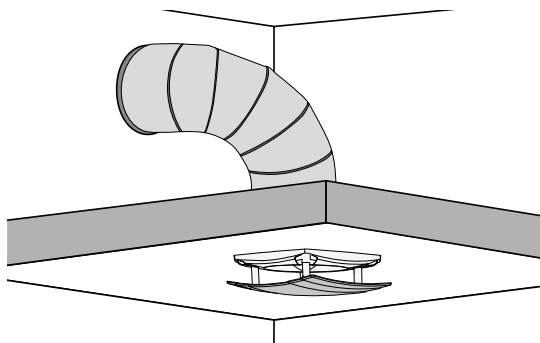
1.



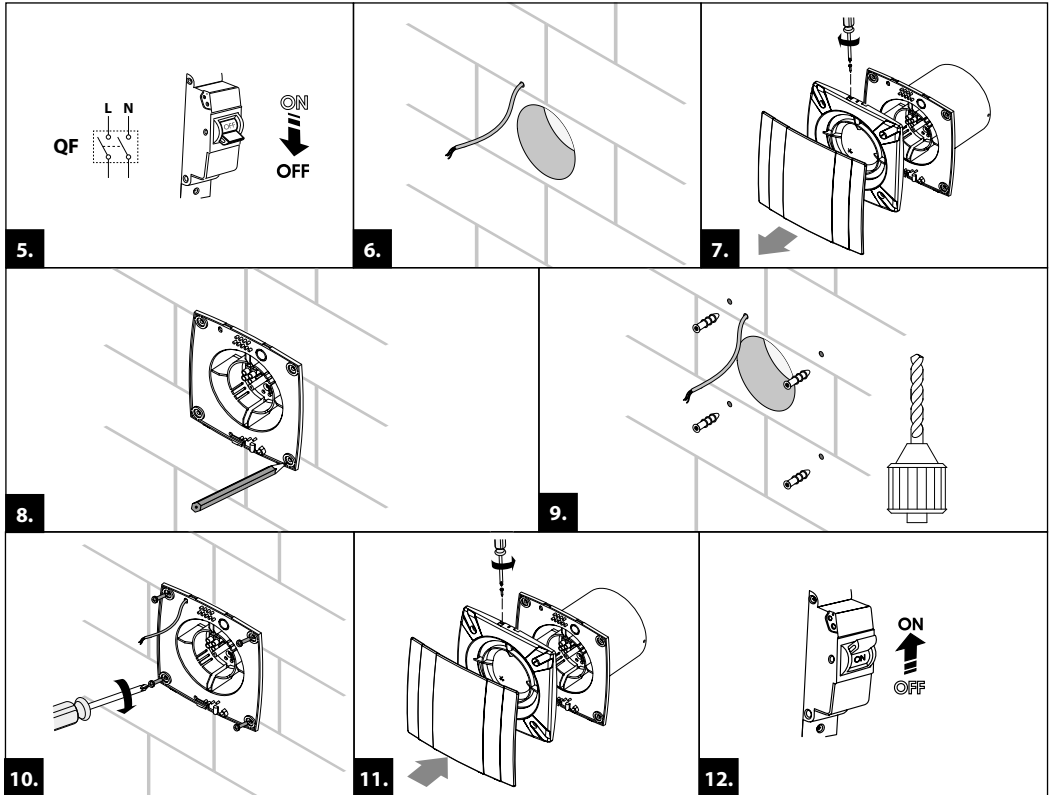
2.



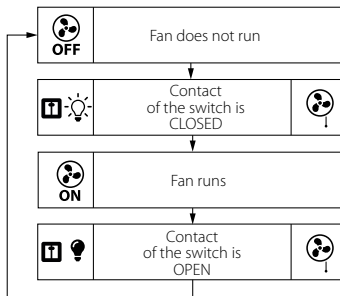
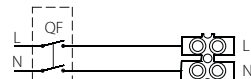
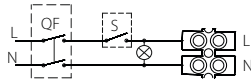
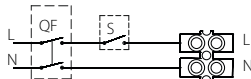
3.



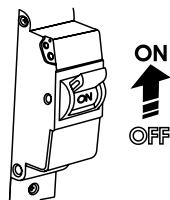
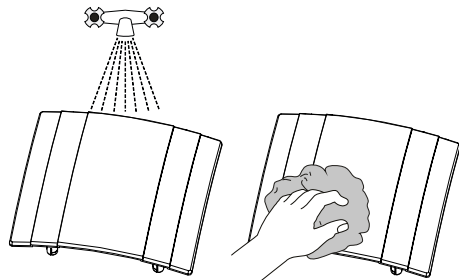
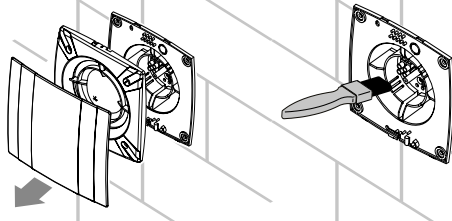
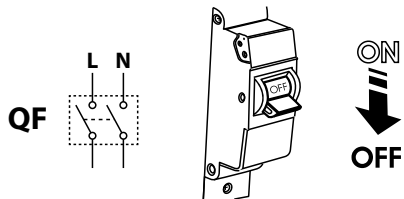
4.



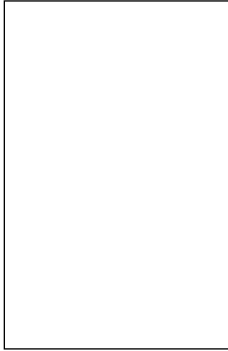
BLABQUATRO 100/125/150



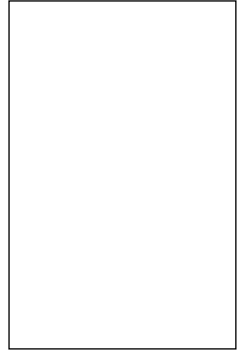
BLABQUATRO 100/125/150 S



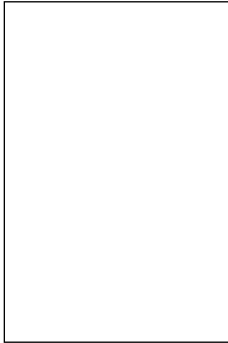
Quality Inspector's Stamp

A large, empty rectangular box with a thin black border, intended for a quality inspector's stamp.

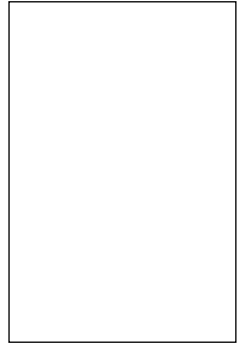
Sold by
(name and stamp of the seller)

A large, empty rectangular box with a thin black border, intended for the seller's name and stamp.

Manufacture Date

A large, empty rectangular box with a thin black border, intended for the manufacture date.

Purchase Date

A large, empty rectangular box with a thin black border, intended for the purchase date.

100 

BLABQUATRO 125 

150 

