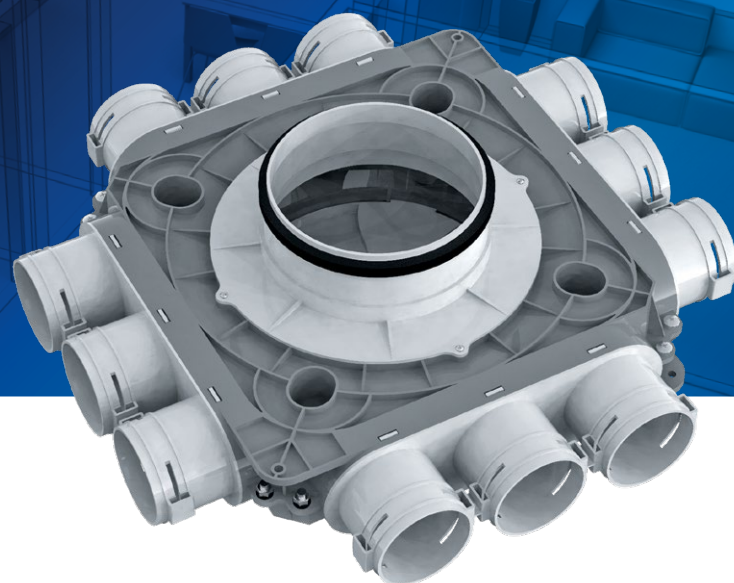


**BLAUFAST**



## **BLAUFAST MODULAR AIR DISTRIBUTION BOXES**

Flexible solution for efficient ventilation

## CONTENTS

### SYSTEM 63

Connectors	1
Air distribution boxes	2

### SYSTEM 75

Connectors	4
Air distribution boxes	5

### SYSTEM 90

Connectors	7
Air distribution boxes	8

## SYSTEM 63

### CONNECTORS

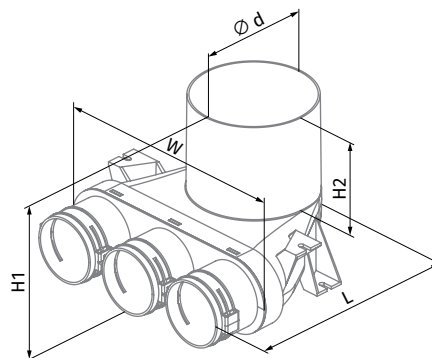
#### CEILING-MOUNTED PLASTIC CONNECTOR BLAUFAST RPZ 125/63x3 01

For supply and exhaust systems in residential premises.  
Ceiling mounted.  
Connecting the ventilation grille to  $\varnothing$  63 mm ducts.



- Connection diameters: 63 and 125 mm.
- Ducts are fastened with **BlauFast S** locks, purchased separately.
- The duct is fitted with **BlauFast RL 63** slip-on seal to retain air-tightness class "C" (available as an accessory).
- Made of polypropylene (PP) with thermoplastic elastomer (SEBS).
- Operating temperature: from -20 to +60 °C.

Dimensions [mm]	$\varnothing$ d (inner)	H1	H2	L	W
BlauFast RPZ 125/63x3 01	127	183	100	243	266



### ACCESSORIES

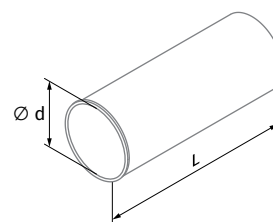
#### PLENUM DUCT BLAUFAST RKPZ 125

For supply and exhaust systems in residential premises.  
For extension of ducts of ceiling-mounted **BlauFast RPZ 125/63x3 01** plenums.



- Connection diameter: 125 mm.
- Made of polypropylene (PP) with thermoplastic elastomer (SEBS).
- Operating temperature: from -20 to +60 °C.

Dimensions [mm]	$\varnothing$ d (inner)	L
BlauFast RKPZ 125	127	302



## AIR DISTRIBUTION BOXES

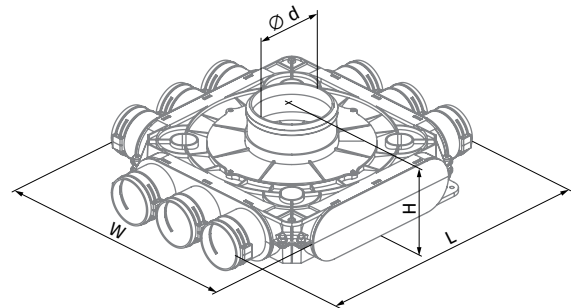
### PLASTIC AIR DISTRIBUTION BOX BLAUFAST SR 125/63x9 50P

For supply and exhaust systems in residential premises. Distribution of air from the ventilation unit through the ducts.



- Connection diameter: 63 mm.
- Ducts are fastened with **BlauFast S** locks, purchased separately.
- The duct is fitted with **BlauFast RL 63** slip-on seal to retain air-tightness class "C" (available as an accessory).
- Made of polypropylene (PP) with thermoplastic elastomer (SEBS).
- Operating temperature: from -20 to +60 °C.

Dimensions [mm]	Ø d (inner)	H	L	W
BlauFast SR 125/63x9 50P	113	140	464	408



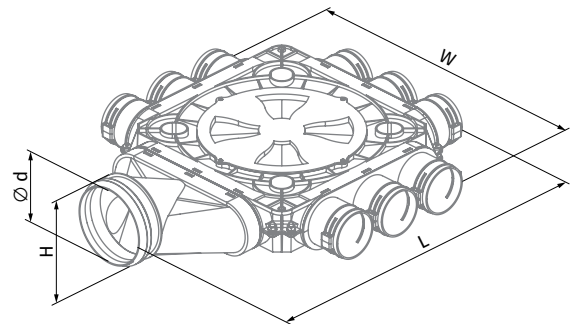
### PLASTIC AIR DISTRIBUTION BOX BLAUFAST SR 125/63x9 51P

For supply and exhaust systems in residential premises. Distribution of air from the ventilation unit through the ducts.



- Connection diameter: 63 mm.
- Ducts are fastened with **BlauFast S** locks, purchased separately.
- The duct is fitted with **BlauFast RL 63** slip-on seal to retain air-tightness class "C" (available as an accessory).
- Made of polypropylene (PP) with thermoplastic elastomer (SEBS).
- Operating temperature: from -20 to +60 °C.

Dimensions [mm]	Ø d1 (inner)	H	L	W
BlauFast SR 125/63x9 51P	113	128	572	464



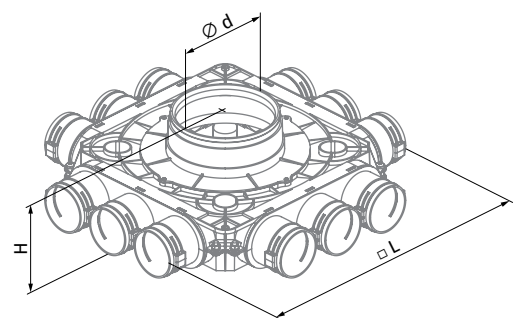
### PLASTIC AIR DISTRIBUTION BOX BLAUFAST SR 150/63x12 50P BLAUFAST SR 160/63x12 50P BLAUFAST SR 200/63x12 50P

For supply and exhaust systems in residential premises. Distribution of air from the ventilation unit through the ducts.



- Connection diameter: 63 mm.
- Ducts are fastened with **BlauFast S** locks, purchased separately.
- The duct is fitted with **BlauFast RL 63** slip-on seal to retain air-tightness class "C" (available as an accessory).
- Made of polypropylene (PP) with thermoplastic elastomer (SEBS).
- Operating temperature: from -20 to +60 °C.

Dimensions [mm]	Ø d1 (inner)	H	L
BlauFast SR 150/63x12 50P	138	140	464
BlauFast SR 160/63x12 50P	148	140	464
BlauFast SR 200/63x12 50P	188	140	464



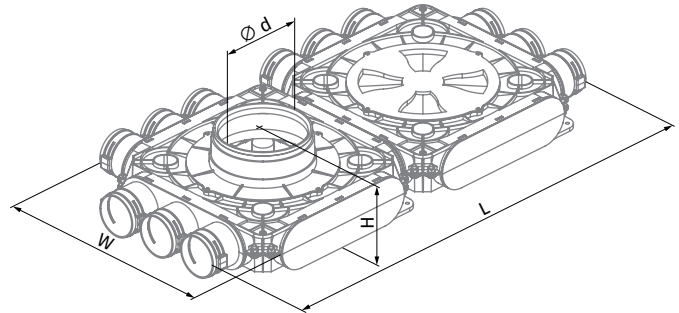
PLASTIC AIR  
DISTRIBUTION BOX  
**BLAUFAST SR 150/63x12 51P**  
**BLAUFAST SR 160/63x12 51P**  
**BLAUFAST SR 200/63x12 51P**



For supply and exhaust systems  
in residential premises.  
Distribution of air from the  
ventilation unit through the ducts.

- Connection diameter: 63 mm.
- Ducts are fastened with **BlauFast S** locks, purchased separately.
- The duct is fitted with **BlauFast RL 63** slip-on seal to retain air-tightness class "C" (available as an accessory).
- Made of polypropylene (PP) with thermoplastic elastomer (SEBS).
- Operating temperature: from -20 to +60 °C.

Dimensions [mm]	Ø d (inner)	H	L	W
BlauFast SR 150/63x12 51P	138	140	813	408
BlauFast SR 160/63x12 51P	148	140	813	408
BlauFast SR 200/63x12 51P	188	140	813	408



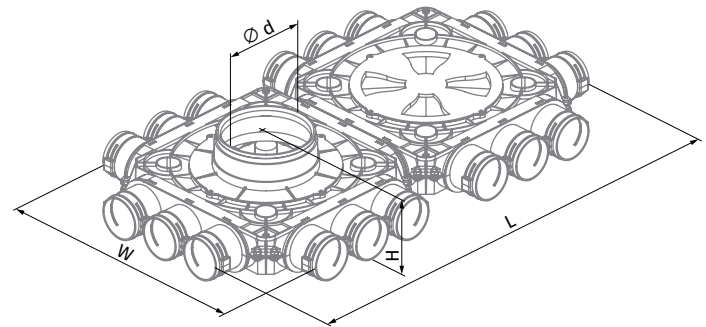
PLASTIC AIR  
DISTRIBUTION BOX  
**BLAUFAST SR 150/63x18 50P**  
**BLAUFAST SR 160/63x18 50P**  
**BLAUFAST SR 200/63x18 50P**



For supply and exhaust systems  
in residential premises.  
Distribution of air from the  
ventilation unit through the ducts.

- Connection diameter: 63 mm.
- Ducts are fastened with **BlauFast S** locks, purchased separately.
- The duct is fitted with **BlauFast RL 63** slip-on seal to retain air-tightness class "C" (available as an accessory).
- Made of polypropylene (PP) with thermoplastic elastomer (SEBS).
- Operating temperature: from -20 to +60 °C.

Dimensions [mm]	Ø d (inner)	H	L	W
BlauFast SR 150/63x18 50P	138	140	813	464
BlauFast SR 160/63x18 50P	148	140	813	464
BlauFast SR 200/63x18 50P	188	140	813	464



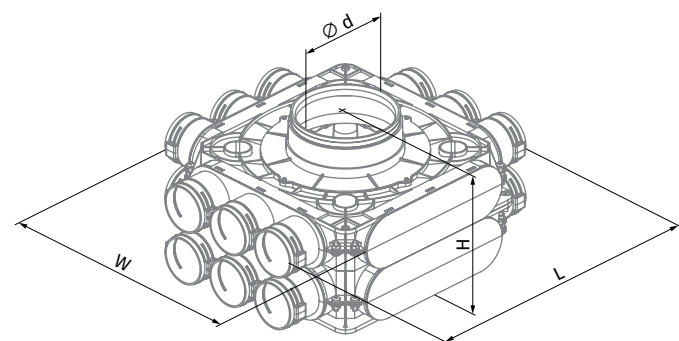
PLASTIC AIR  
DISTRIBUTION BOX  
**BLAUFAST SR 150/63x18 51P**  
**BLAUFAST SR 160/63x18 51P**  
**BLAUFAST SR 200/63x18 51P**



For supply and exhaust systems  
in residential premises.  
Distribution of air from the  
ventilation unit through the ducts.

- Connection diameter: 63 mm.
- Ducts are fastened with **BlauFast S** locks, purchased separately.
- The duct is fitted with **BlauFast RL 63** slip-on seal to retain air-tightness class "C" (available as an accessory).
- Made of polypropylene (PP) with thermoplastic elastomer (SEBS).
- Operating temperature: from -20 to +60 °C.

Dimensions [mm]	Ø d (inner)	H	L	W
BlauFast SR 150/63x18 51P	138	223	464	408
BlauFast SR 160/63x18 51P	148	223	464	408
BlauFast SR 200/63x18 51P	188	223	464	408



## SYSTEM 75

### CONNECTORS

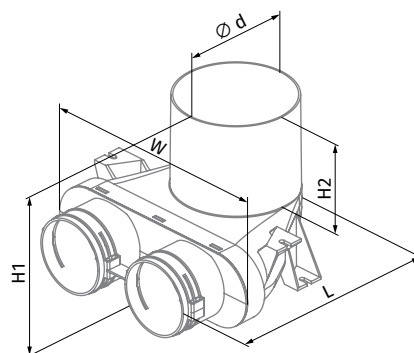
#### CEILING-MOUNTED PLASTIC CONNECTOR BLAUFast RPZ 125/75x2 01

For supply and exhaust systems in residential premises. Ceiling mounted. Connecting the ventilation grille to  $\varnothing 75$  mm ducts.



- Connection diameters: 75 mm.
- Ducts are fastened with **BlauFast S** locks, purchased separately.
- The duct is fitted with **BlauFast RL 75** slip-on seal to retain air-tightness class "C" (available as an accessory).
- Made of polypropylene (PP) with thermoplastic elastomer (SEBS).
- Operating temperature: from  $-20$  to  $+60$  °C.

Dimensions [mm]	$\varnothing d$ (inner)	H1	H2	L	W
BlauFast RPZ 125/75x2 01	127	183	100	243	266



### ACCESSORIES

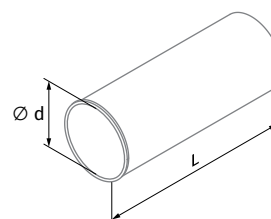
#### PLENUM DUCT BLAUFast RKPZ 125

For supply and exhaust systems in residential premises. For extension of ducts of ceiling-mounted **BlauFast RPZ 125/75x2 01** plenums.



- Connection diameter: 125 mm.
- Made of polypropylene (PP) with thermoplastic elastomer (SEBS).
- Operating temperature: from  $-20$  to  $+60$  °C.

Dimensions [mm]	$\varnothing d$ (inner)	L
BlauFast RKPZ 125	127	302





## AIR DISTRIBUTION BOXES

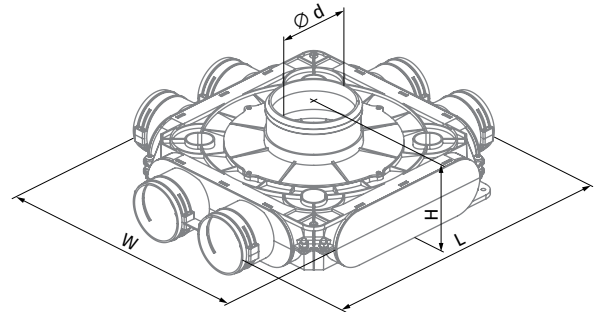
### PLASTIC AIR DISTRIBUTION BOX BLAUFAST SR 125/75x6 50P

For supply and exhaust systems in residential premises. Distribution of air from the ventilation unit through the ducts.



- Connection diameter: 75 mm.
- Ducts are fastened with **BlauFast S** locks, purchased separately.
- The duct is fitted with **BlauFast RL 75** slip-on seal to retain air-tightness class "C" (available as an accessory).
- Made of polypropylene (PP) with thermoplastic elastomer (SEBS).
- Operating temperature: from -20 to +60 °C.

Dimensions [mm]	Ø d (inner)	H	L	W
BlauFast SR 125/75x6 50P	113	140	468	410



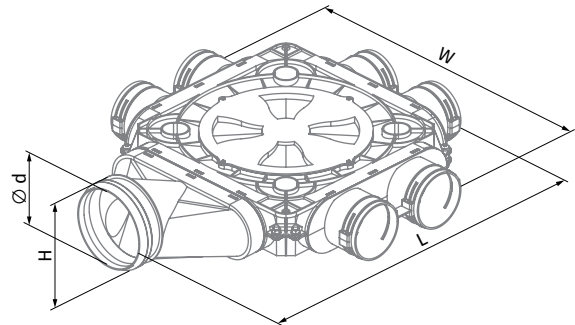
### PLASTIC AIR DISTRIBUTION BOX BLAUFAST SR 125/75x6 51P

For supply and exhaust systems in residential premises. Distribution of air from the ventilation unit through the ducts.



- Connection diameter: 75 mm.
- Ducts are fastened with **BlauFast S** locks, purchased separately.
- The duct is fitted with **BlauFast RL 75** slip-on seal to retain air-tightness class "C" (available as an accessory).
- Made of polypropylene (PP) with thermoplastic elastomer (SEBS).
- Operating temperature: from -20 to +60 °C.

Dimensions [mm]	Ø d1 (inner)	H	L	W
BlauFast SR 125/75x6 51P	113	128	574	468



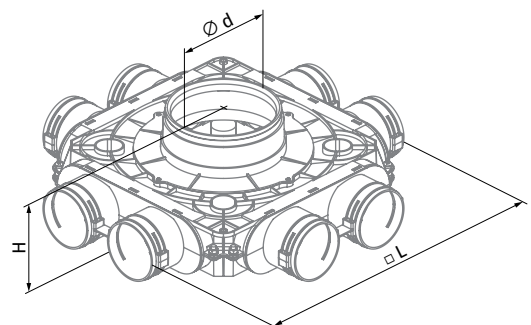
### PLASTIC AIR DISTRIBUTION BOX BLAUFAST SR 150/75x8 50P BLAUFAST SR 160/75x8 50P

For supply and exhaust systems in residential premises. Distribution of air from the ventilation unit through the ducts.



- Connection diameter: 75 mm.
- Ducts are fastened with **BlauFast S** locks, purchased separately.
- The duct is fitted with **BlauFast RL 75** slip-on seal to retain air-tightness class "C" (available as an accessory).
- Made of polypropylene (PP) with thermoplastic elastomer (SEBS).
- Operating temperature: from -20 to +60 °C.

Dimensions [mm]	Ø d1 (inner)	H	L
BlauFast SR 150/75x8 50P	138	140	468
BlauFast SR 160/75x8 50P	148	140	468



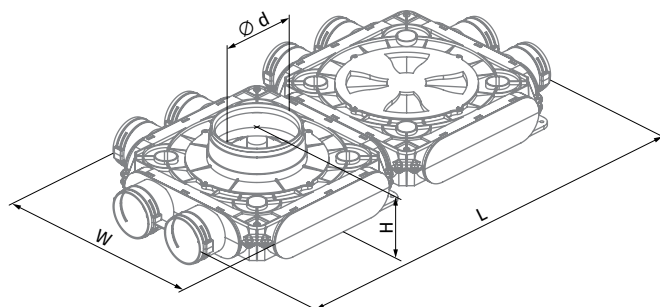
PLASTIC AIR  
DISTRIBUTION BOX  
**BLAUFast SR 150/75x8 51P**  
**BLAUFast SR 160/75x8 51P**



For supply and exhaust systems in residential premises. Distribution of air from the ventilation unit through the ducts.

- Connection diameter: 75 mm.
- Ducts are fastened with **BlauFast S** locks, purchased separately.
- The duct is fitted with **BlauFast RL 75** slip-on seal to retain air-tightness class "C" (available as an accessory).
- Made of polypropylene (PP) with thermoplastic elastomer (SEBS).
- Operating temperature: from -20 to +60 °C.

Dimensions [mm]	Ø d (inner)	H	L	W
<b>BlauFast SR 150/75x8 51P</b>	138	140	817	410
<b>BlauFast SR 160/75x8 51P</b>	148	140	817	410



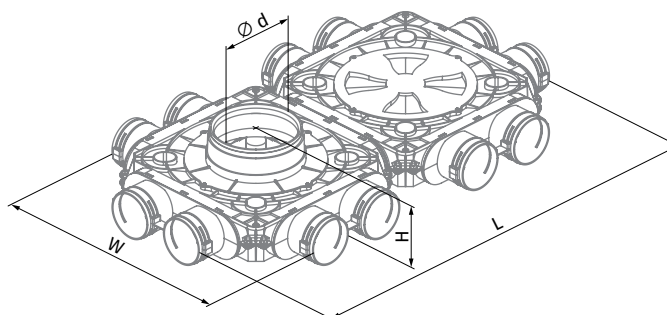
PLASTIC AIR  
DISTRIBUTION BOX  
**BLAUFast SR 150/75x12 50P**  
**BLAUFast SR 160/75x12 50P**  
**BLAUFast SR 200/75x12 50P**



For supply and exhaust systems in residential premises. Distribution of air from the ventilation unit through the ducts.

- Connection diameter: 75 mm.
- Ducts are fastened with **BlauFast S** locks, purchased separately.
- The duct is fitted with **BlauFast RL 75** slip-on seal to retain air-tightness class "C" (available as an accessory).
- Made of polypropylene (PP) with thermoplastic elastomer (SEBS).
- Operating temperature: from -20 to +60 °C.

Dimensions [mm]	Ø d (inner)	H	L	W
<b>BlauFast SR 150/75x12 50P</b>	138	140	817	468
<b>BlauFast SR 160/75x12 50P</b>	148	140	817	468
<b>BlauFast SR 200/75x12 50P</b>	188	140	817	468



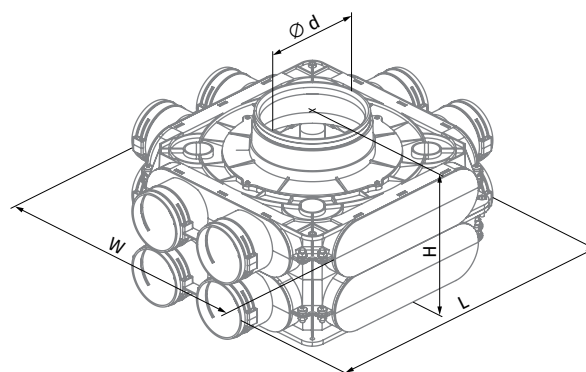
PLASTIC AIR  
DISTRIBUTION BOX  
**BLAUFast SR 150/75x12 51P**  
**BLAUFast SR 160/75x12 51P**  
**BLAUFast SR 200/75x12 51P**



For supply and exhaust systems in residential premises. Distribution of air from the ventilation unit through the ducts.

- Connection diameter: 75 mm.
- Ducts are fastened with **BlauFast S** locks, purchased separately.
- The duct is fitted with **BlauFast RL 75** slip-on seal to retain air-tightness class "C" (available as an accessory).
- Made of polypropylene (PP) with thermoplastic elastomer (SEBS).
- Operating temperature: from -20 to +60 °C.

Dimensions [mm]	Ø d (inner)	H	L	W
<b>BlauFast SR 150/75x12 51P</b>	138	223	468	410
<b>BlauFast SR 160/75x12 51P</b>	148	223	468	410
<b>BlauFast SR 200/75x12 51P</b>	188	223	468	410





## SYSTEM 90

### CONNECTORS

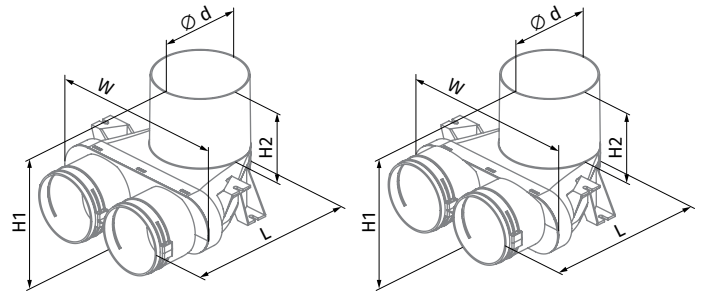
#### CEILING-MOUNTED PLASTIC CONNECTOR BLAUFAST RPZ 125/90x2 BLAUFAST RPZ 125/90x2 01

For supply and exhaust systems in residential premises.  
For under-ceiling mounting with 125 mm duct downwards.  
Connecting the ventilation grille to  $\varnothing 90$  mm ducts.



- Connection diameters: 90 and 125 mm.
- Ducts are fastened with **BlauFast S** locks, purchased separately.
- The duct is fitted with **BlauFast RL 90** slip-on seal to retain air-tightness class "C" (available as an accessory).
- Made of polypropylene (PP) with thermoplastic elastomer (SEBS).
- Operating temperature: from -20 to +60 °C.

Dimensions [mm]	$\varnothing d$ (inner)	H1	H2	L	W
BlauFast RPZ 125/90x2	127	183	100	257	266
BlauFast RPZ 125/90x2 01	127	183	100	257	266



BlauFast RPZ 125/90x2

BlauFast RPZ 125/90x2 01

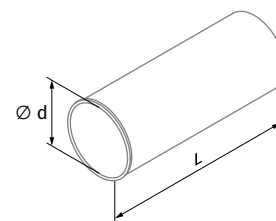
### ACCESSORIES

#### PLENUM DUCT BLAUFAST RKPZ 125

For supply and exhaust systems in residential premises.  
For extension of ducts of ceiling-mounted **BlauFast RPZ 125/90x2**, **BlauFast RPZ 125/90x2 01** plenums.



Dimensions [mm]	$\varnothing d$ (inner)	L
BlauFast RKPZ 125	127	302



- Connection diameter: 125 mm.
- Made of polypropylene (PP) with thermoplastic elastomer (SEBS).
- Operating temperature: from -20 to +60 °C.

## AIR DISTRIBUTION BOXES

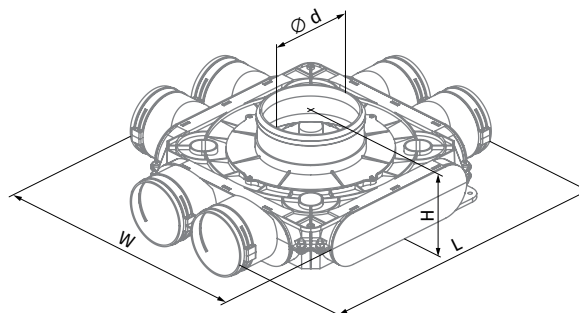
### PLASTIC AIR DISTRIBUTION BOX BLAUFAST SR 125/90x6 50P

For supply and exhaust systems in residential premises.  
Distribution of air from the ventilation unit through the ducts.



- Connection diameter: 90 mm.
- Ducts are fastened with **BlauFast S** locks, purchased separately.
- The duct is fitted with **BlauFast RL 90** slip-on seal to retain air-tightness class "C" (available as an accessory).
- Made of polypropylene (PP) with thermoplastic elastomer (SEBS).
- Operating temperature: from -20 to +60 °C.

Dimensions [mm]	Ø d (inner)	H	L	W
BlauFast SR 125/90x6 50P	113	140	496	424



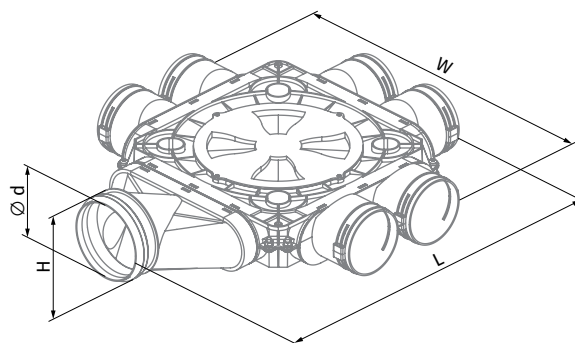
### PLASTIC AIR DISTRIBUTION BOX BLAUFAST SR 125/90x6 51P

For supply and exhaust systems in residential premises.  
Distribution of air from the ventilation unit through the ducts.



- Connection diameter: 90 mm.
- Ducts are fastened with **BlauFast S** locks, purchased separately.
- The duct is fitted with **BlauFast RL 90** slip-on seal to retain air-tightness class "C" (available as an accessory).
- Made of polypropylene (PP) with thermoplastic elastomer (SEBS).
- Operating temperature: from -20 to +60 °C.

Dimensions [mm]	Ø d1 (inner)	H	L	W
BlauFast SR 125/90x6 51P	113	128	588	496



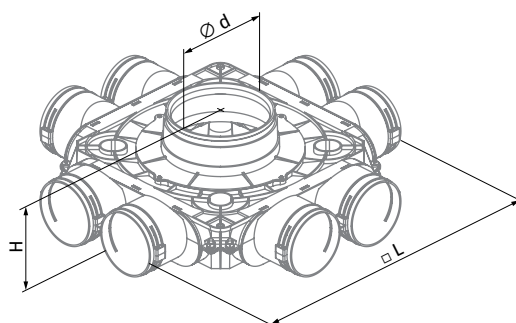
### PLASTIC AIR DISTRIBUTION BOX BLAUFAST SR 150/90x8 50P BLAUFAST SR 160/90x8 50P BLAUFAST SR 200/90x8 50P

For supply and exhaust systems in residential premises.  
Distribution of air from the ventilation unit through the ducts.



- Connection diameter: 90 mm.
- Ducts are fastened with **BlauFast S** locks, purchased separately.
- The duct is fitted with **BlauFast RL 90** slip-on seal to retain air-tightness class "C" (available as an accessory).
- Made of polypropylene (PP) with thermoplastic elastomer (SEBS).
- Operating temperature: from -20 to +60 °C.

Dimensions [mm]	Ø d1 (inner)	H	L
BlauFast SR 150/90x8 50P	138	140	496
BlauFast SR 160/90x8 50P	148	140	496
BlauFast SR 200/90x8 50P	188	140	496



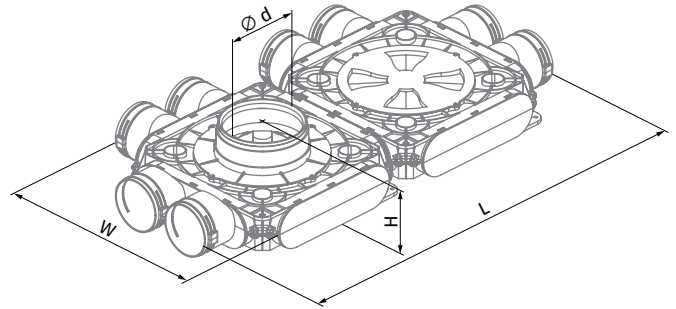
PLASTIC AIR  
DISTRIBUTION BOX  
**BLAUFAST SR 150/90x8 51P**  
**BLAUFAST SR 160/90x8 51P**  
**BLAUFAST SR 200/90x8 51P**



For supply and exhaust systems in residential premises.  
Distribution of air from the ventilation unit through the ducts.

- Connection diameter: 90 mm.
- Ducts are fastened with **BlauFast S** locks, purchased separately.
- The duct is fitted with **BlauFast RL 90** slip-on seal to retain air-tightness class "C" (available as an accessory).
- Made of polypropylene (PP) with thermoplastic elastomer (SEBS).
- Operating temperature: from -20 to +60 °C.

Dimensions [mm]	Ø d (inner)	H	L	W
BlauFast SR 150/90x8 51P	138	140	845	424
BlauFast SR 160/90x8 51P	148	140	845	424
BlauFast SR 200/90x8 51P	188	140	845	424



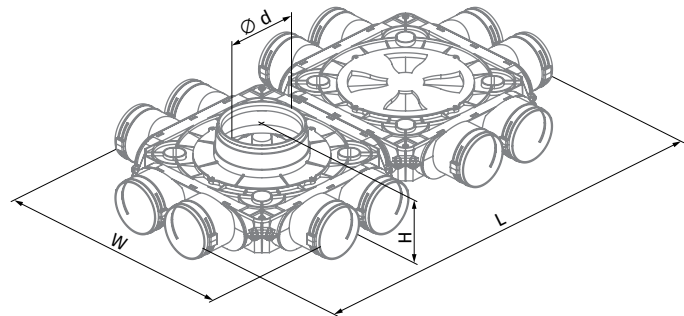
PLASTIC AIR  
DISTRIBUTION BOX  
**BLAUFAST SR 150/90x12 50P**  
**BLAUFAST SR 160/90x12 50P**  
**BLAUFAST SR 200/90x12 50P**



For supply and exhaust systems in residential premises.  
Distribution of air from the ventilation unit through the ducts.

- Connection diameter: 90 mm.
- Ducts are fastened with **BlauFast S** locks, purchased separately.
- The duct is fitted with **BlauFast RL 90** slip-on seal to retain air-tightness class "C" (available as an accessory).
- Made of polypropylene (PP) with thermoplastic elastomer (SEBS).
- Operating temperature: from -20 to +60 °C.

Dimensions [mm]	Ø d (inner)	H	L	W
BlauFast SR 150/90x12 50P	138	140	845	496
BlauFast SR 160/90x12 50P	148	140	845	496
BlauFast SR 200/90x12 50P	188	140	845	496



Blauberg Ventilatoren GmbH  
Aidenbachstr. 52  
D-81379 Munich

[info@blaubergventilatoren.de](mailto:info@blaubergventilatoren.de)  
[www.blaubergventilatoren.de](http://www.blaubergventilatoren.de)

Technical changes reserved.  
Illustrations and texts are non-binding.

05/2021